

Light Duty Series Below Grade Enclosures

Molded Polyethylene Handholes for Telecommunications, Utility, Broadband Cable, and Municipality Placements

Telecom Light Duty Series below grade enclosures are molded polyethylene handholes available in one round and two rectangle sizes. Designed for light duty placement, these sturdy enclosures serve a variety of purposes in telecommunications, wireless, utility, CATV, and municipality networks.

Constructed from high-density polyethylene (HDPE). Telecom Light Duty Series is built to provide years of maintenance-free service and superior shelter for buried network components. These enclosures allow technicians easy handhole access to splice cases, control valve, slack cable, and other equipment at network junctions.

Telecom Light Duty Series is designed to meet or exceed ANSI/SCTE ratings for light duty, pedestrian-only (greenbelt) applications.



FEATURES

- Structurally rugged, non-metallic molded polyethylene material composition produces enclosures that are durable, lightweight, easy to install, and resistant to chemicals and water
- Tapered sides create maximum usable interior space and allow both rectangular and round enclosures to be nested for compact shipping and storage
- Deep well bottom edges provide long-term stability in below grade placements
- Skid resistant covers for improved safety
- Stainless steel hardware

APPLICATIONS

- Fiber optic and copper slack cable coiling and storage
- Access to sealed cases (splice cases, repeaters, load coils, etc.)
- Meter boxes
- Irrigation systems
- Traffic signal controls
- Ground rods





LIGHT DUTY SERIES



Mousehole Option Available

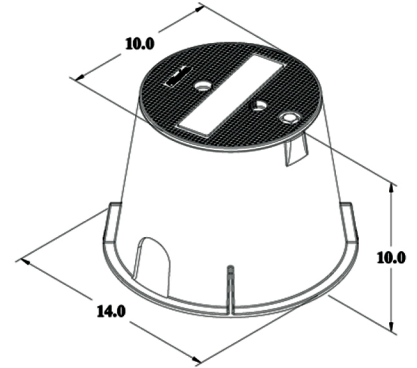
LDBGE100010

Appx. Dimensions: 10"Wx00"Lx10"D

Description: Light Duty Series HDPE
10"Wx00"Lx10"D

Unit Weight: 4lb
Pallet Weight: 770lb

Pallet QTY: 180
Truck Load: 5040 units



Mousehole Option Available

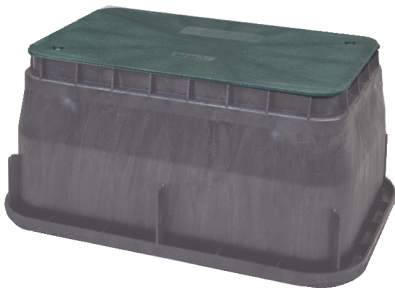
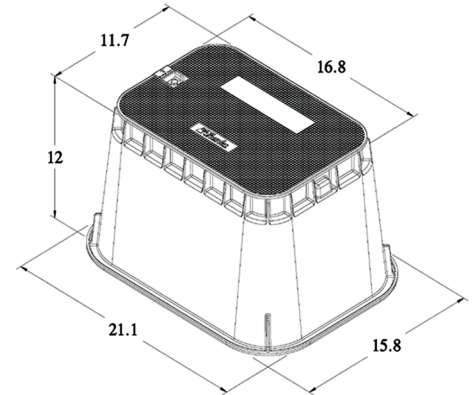
LDBGE141912

Appx. Dimensions: 14"Wx19"Lx12"D

Description: Light Duty Series HDPE
14"Wx19"Lx12"D

Unit Weight: 8lb
Pallet Weight: 635lb

Pallet QTY: 78
Truck Load: 4056 units



LDBGE173018

Appx. Dimensions: 17"Wx30"Lx18"D

Description: Light Duty Series HDPE
17"Wx30"Lx18"D

Unit Weight: 32lb
Pallet Weight: 370lb

Pallet QTY: 10
Truck Load: 480 units

